

Aluminum Vacuum Blocks VCBL-A-K2

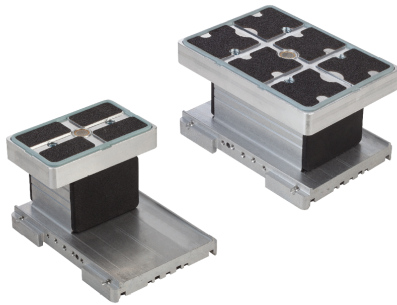
Height 100 mm



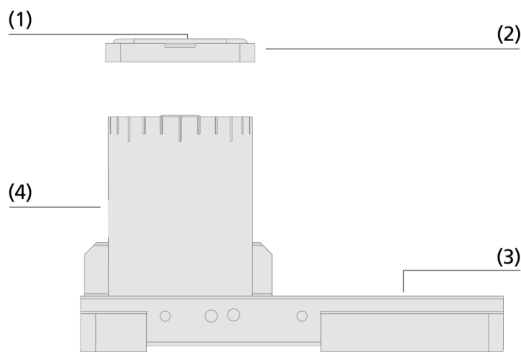
Suitability for Industry Specific Applications

Applications

- Hose-free vacuum clamping system for CNC machining centers with console table (2-circuit system)
- Application primarily in processing of solid wood due to blocks optimized for use with high cutting forces
- Specially coordinated friction materials guarantee the best possible adhesion and high precision
- Body made of aluminum creates strong and stiff connection between machine table and workpiece
- Vacuum blocks are fixed to the console using one vacuum circuit, while the second circuit clamps the workpiece to the vacuum block
- Various suction areas and working heights available



Aluminum Vacuum Blocks VCBL-A-K2



Design

- Sealing (1) also usable for structured surfaces
- Friction pad (2) optimized for solid wood applications
- Guide strip (3) fits all two-circuit console tables
- Robust main body (4) made of aluminum for maximum stiffness and optimal milling results

System Design Aluminum Vacuum Blocks VCBL-A-K2



Aluminum vacuum blocks VCBL-A-K2 for clamping solid wood

Product Highlights

- Aluminum structure guarantees low-vibration connection between machine table and workpiece
- Special friction pad for rough surfaces enables maximum cutting parameters
- Different working heights available, depending on the machine also 5-axis machining possible

Aluminum Vacuum Blocks VCBL-A-K2

Height 100 mm

Designation Code Aluminum Vacuum Blocks VCBL-A-K2

VCBL-A-K2	–	125x75	–	x100	–	D-360
1		2		3		4

1 – Abbreviated designation

Code	Type
VCBL-A-K1	Vacuum block, aluminum, 2-circuit console system

2 – Suction area

Code	LxW in mm
160x120...	160x120 to 120x50
120x50	

3 – Height

Code	Height in mm
x100	100

4 – Product addition

Code	Type
D-360	Rotatable by 360°
Q	Mounted crosswise



The vacuum block VCBL-A-K2 is delivered assembled. The product consists of:

- Top sealing frame in aluminum with friction pad and seal, available in various sizes and suction surfaces
- Main body made of aluminum with integrated suction plate at the bottom

Available spare parts: sealing ring, sealing frame

Available accessories: clamping unit

Ordering Data Aluminum Vacuum Blocks VCBL-A-K2

Type				Dimensions (LxW):		
				160x120	125x75	120x50
VCBL-A-K2	100	-		10.01.12.03204 	-	-
VCBL-A-K2	100	D-360		-	10.01.12.03612	10.01.12.03813
VCBL-A-K2	100	Q		-	10.01.12.03201 	-

Ordering Data Spare Parts Aluminum Vacuum Blocks VCBL-A-K2

Type	Spare Parts			Part no.
VCBL-A-K2	160x120	Sealing ring (glued)	DR 178.3/170.25x6 MOS NK-20	10.01.12.03248
VCBL-A-K2	125x75	Sealing ring (glued)	DR 121/113x6 MOS NK-20	10.01.12.03247
Type	Spare Parts			Part no.
VCBL-A-K2		Sealing frame (bottom)	VCDR 166x113x6.6 VCSP	10.01.12.02191

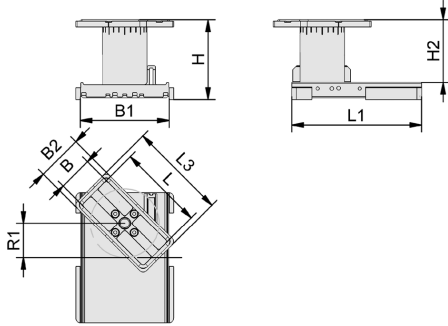
Ordering Data Accessories Aluminum Vacuum Blocks VCBL-A-K2

Accessories	Part no.
Clamping unit	KLEM-EINH 69.5x35x12.5 10.01.12.04990

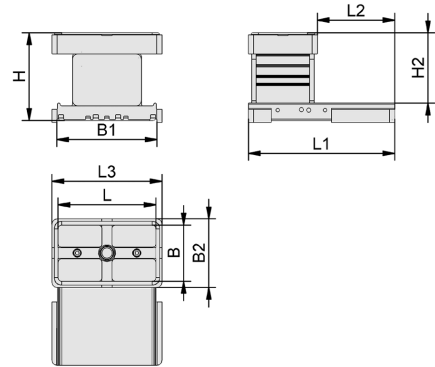
Aluminum Vacuum Blocks VCBL-A-K2

Height 100 mm

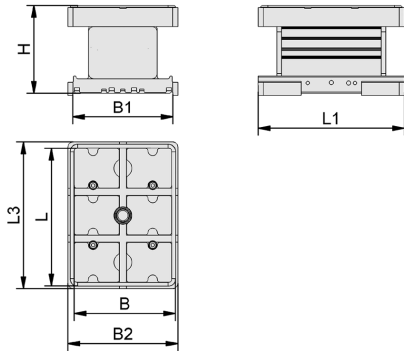
Design Data Aluminum Vacuum Blocks VCBL-A-K2



VCBL-A-K2 D-360



VCBL-A-K2 Q



VCBL-A-K2 160x120

Aluminum Vacuum Blocks VCBL-A-K2

Height 100 mm

Design Data Aluminum Vacuum Blocks VCBL-A-K2

Type	B [mm]	B1 [mm]	B2 [mm]	H [mm]	H2 [mm]	L [mm]	L1 [mm]	L2 [mm]	L3 [mm]	R1 [mm]
VCBL-A-K2-120x50x100-D-360	50	115	60	100	84	120	170	-	128	45
VCBL-A-K2-125x75x100-D-360	75	115	80	100	84	125	170	-	128	45
VCBL-A-K2-125x75x100-Q	75	115	80	100	84	125	170	90	128	-
VCBL-A-K2-160x120x100	120	115	128	100	-	160	170	-	170	-
VCBL-A-K2-125x75x125-Q	75	115	80	125	109	125	170	90	128	-
VCBL-A-K2-160x120x125	120	115	128	125	-	160	170	-	170	-